



Revolution LGR Owner's Manual

© 2023 Legend Brands, Inc.



1	Owner's Manual	4
1.1	Product Introduction	5
1.2	Safety Warnings	6
1.3	Warranty and Registration	8
1.4	Controls and Operating	9
1.5	Command Hub	11
1.6	Errors and Warnings	13
1.7	At the End of the Job	15
1.8	Transport and Storage	16
1.9	Maintenance Schedule	17
1.10	Troubleshooting	19
1.11	Specifications	20
1.12	Accessories Included	21
1.13	Additional Product Information	22
1.14	Service Technicians Only	23
2	Manual de instrucciones	26
2.1	Introducción del producto	27
2.2	Advertencias de seguridad	28
2.3	Registro de la garantía	30
2.4	Controles y Instrucciones de Operación	31
2.5	Cómo usar el Command Hub	33
2.6	Errores y Advertencias	35
2.7	Al final de la operación	37
2.8	Transporte y Almacenamiento	38
2.9	Programa de mantenimiento	39
2.10	Solucion de problemas	42
2.11	Especificaciones	44
2.12	Piezas incluidas	45
2.13	Información Adicional	46
2.14	Solo para técnicos del servicio	47
3	Manuel du propriétaire	50
3.1	Présentation du Produit	51
3.2	Avertissements de Sécurité	52



3.3	Garantie et Enregistrement	54
3.4	Commandes et Mode d'emploi	55
3.5	Command Hub	57
3.6	Erreurs et Avertissements	59
3.7	À la Fin du Travail	61
3.8	Transport et Stockage	62
3.9	Programme d'entretien	63
3.10	Dépannage	66
3.11	Spécification	68
3.12	Pièces Incluses	69
3.13	Informations Supplémentaires	70
3.14	Pour les techniciens d'entretien seulement	71
		0

1 Owner's Manual

Revolution LGR

Model #111995

Legend Brands, Inc.

15180 Josh Wilson Road, Burlington, WA 98233

Phone: 800-932-3030

LegendBrands.com

Patents: LBpatents.com

© 2023 Legend Brands, Inc.





1.1 Product Introduction

The Dri-Eaz® Revolution LGR Dehumidifier reduces humidity in enclosed environments by removing water vapor from the air. The Revolution is ideal for water damage restoration, structural drying, construction, and many other applications requiring high-performance dehumidification.

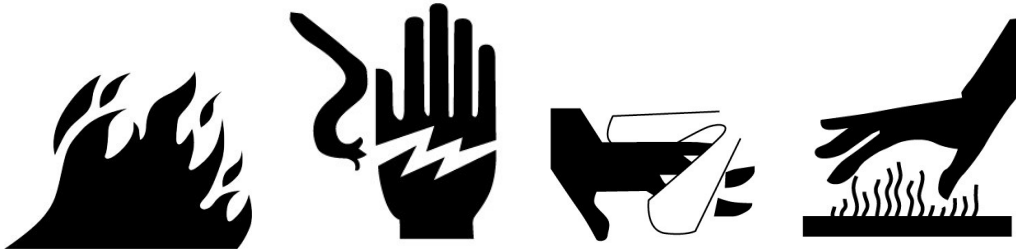
1.2 Safety Warnings

READ AND UNDERSTAND BEFORE OPERATING

SAFETY INSTRUCTIONS

WARNING

WARNING! Do not alter or modify your unit in any way. Use only replacement parts authorized by Legend Brands, Inc. Modifications or use of unapproved parts could create a hazard and will void your warranty. Contact your authorized distributor for assistance.



WARNING! Explosion or combustion hazard due to flammable refrigerant.

- Do not drill into or braze the dehumidifier.
- Do not attempt to service the refrigeration system! Only authorized service center personnel should service or decommission the refrigeration system.
- Be aware that refrigerant gases can be odorless.

WARNING! Electric shock hazard, rotating fan, hot surface hazards. Unplug unit before opening cover for cleaning or servicing. Unit must be grounded.

- Inspect the power cord before use. If cord is damaged, do not use. Always grasp the plug (not the cord) to unplug.
- Insert three-prong plug on power cord into a matching electrically grounded outlet. Do not use adapter. Never cut off third prong. Do not use an extension cord.
- The unit must be operated on a 115V/60Hz circuit protected by a Ground Fault Circuit Interrupter (GFCI) device.
- Keep motor and wiring dry.
- Do not attempt to repair the unit. For Authorized Service Centers, contact Dri Eaz.

NOTICE: Do not use in environments where corrosive chemicals are present, such as chlorine.

NOTICE: The unit should not be used by persons (including children) with reduced



physical, sensory or mental capabilities, or lack of experience and knowledge, unless they have been given supervision or instruction. Children should not be allowed to play with the unit.

CONTAINS: FCC ID 2ADHKWINC3400; IC 20266-ATWINC3400; CAN-ICES-003(B)/MB-003(B)



1.3 Warranty and Registration

Visit [LegendBrands.com](https://www.legendbrands.com) to register your purchase. Registration allows us to better assist you with using, maintaining or servicing your equipment and to contact you in case we have important safety information concerning your Dri-Eaz product. If you determine service is required, have your equipment model, serial number and original proof of purchase available and call your distributor for assistance with obtaining a return material authorization (RMA).



1.4 Controls and Operating

SET UNIT UPRIGHT

NOTICE: Always store, transport, and use the unit in a horizontal position. If the unit is ever placed in a vertical position, return it to the horizontal position and let it stand for at least 30 minutes before turning it on.

POSITIONING A DEHUMIDIFIER

For best results, operate your dehumidifiers in an enclosed area. Close all doors and windows that open to the outside to maximize water removal efficiency. Place your dehumidifier away from obstructions, and keep it away from anything that could block airflow into and out of the unit.

SET UP DRAIN HOSE

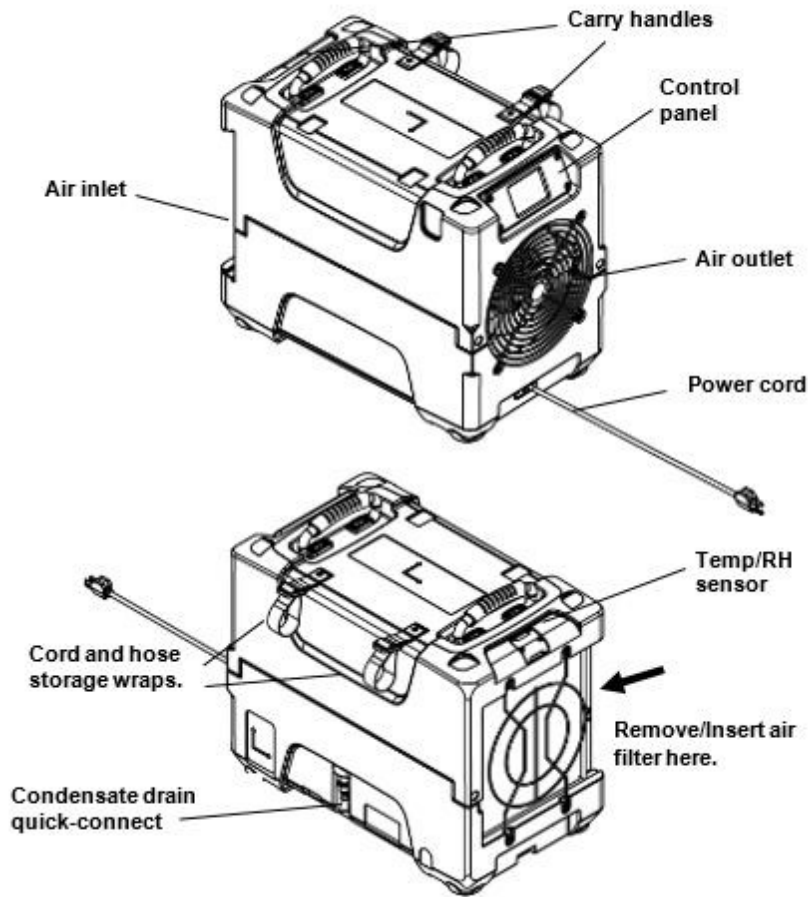
This unit automatically pumps out water on a regular basis. This dehumidifier is equipped with a quick-connect fitting for attachment to the provided 40 ft. (12 m) drain hose located in the tray on top of the unit. Unwrap the entire hose and place the open end in a sink, drain, bucket or outdoors – anywhere that water can drain out safely. If you use a bucket or other container for water collection, check it regularly to prevent overflows.

NOTICE: Uncoil and straighten the entire drain hose. Do not leave any part of the hose coiled and do not place the end of the hose higher than 20 ft. (6 m) above the bottom of the unit. Also check for kinks or other obstructions that might restrict the flow of water. Obstructions may cause a water backup and result in overflows.

PLUG IN ELECTRICAL CORD

The Revolution should be plugged into a GFCI-protected 115 volt outlet rated for at least 15 amps.

Fig. A: Parts Identification



1.5 Command Hub

HOW TO USE THE COMMAND HUB


The i-Series Command Hub provides comprehensive dehumidifier controls and detailed real-time data about the drying environment as well as job hours, self-diagnosis messages, maintenance reminders and operating status.


To take advantage of the Command Hub's remote monitoring and operation via Bluetooth and WiFi, visit the Dri-Eaz Command Center Pro page: drieaz.info/ccpro


HOME SCREEN VIEWS

Unit OFF
Unit must be plugged in.

Top display bar:
Job hours, current time

Press  MENU to access settings and configuration controls




Press  PURGE to pump out condensate tank

Press  ON/OFF to turn unit on.

Job 0.0h Thu Sep 17 2:27 PM

Inlet	Outlet
--	--
--	--

OFF







Unit ON
Press ON/OFF key to switch unit on.


Top display bar:
Job hours, current time

Information display:
Inlet/Outlet temp, %RH and GPP
Current GPP removal

Bottom menu bar:

 Quick-Reference Inlet GPP.
1: < 60 GPP; 2: 60–90 GPP; 3: > 90 GPP





Press  MENU to access settings and configuration controls

Press  PURGE to pump out condensate tank


Job 0.0h Thu Sep 17 2:27 PM

Inlet	Outlet
80.0°F 60%	107.1°F 48%
91 GPP	67 GPP

Δ24 GPP



Press  ON/OFF to turn unit off.



1.6 Errors and Warnings

If the control system detects a problem, it will display an "Alert" symbol in the upper right corner of the screen. Press ON/OFF to view the message and OK to clear the message. NOTE: In the case of an error, the unit will not operate until the problem is resolved. Refer to the explanations and solutions shown below. If these solutions do not fix the problem, contact your local authorized service center for further assistance.



CONTROL PANEL MESSAGE	EXPLANATION AND SOLUTION
ER4 Error Defrost Thermistor Connect —or— ER4 Error Outlet Thermistor Connect	Temp sensor is open, missing, or shorted. Check that temp sensors are installed correctly on control panel. If error persists, contact service.
ER5 Error Inlet RH1 Temp/RH Sensor	Inlet Temp/RH sensor is open, missing, or shorted. Check that inlet temp/RH sensor is installed correctly on control panel and inlet shroud. If error persists, contact service.
ER6 Error Current Sensor Failure	Current sensor failure. If error persists, contact service.
ER9 Error Pump Blocked	Check for obstructions in drain hose. Check the pump.
W1 Low BATTERY	Replace coin cell battery (3V, CR2032) on control panel.
W2 BLE Error W3 Flash Reset W4 WDT Reset	Cycle power to dehumidifier. If warning persists, contact service.



1.7 At the End of the Job

To reduce the possibility of drips when moving the unit, follow these additional steps to ensure that all water is removed from the unit.

NOTICE: To ensure all water is removed from the dehumidifier, the unit will complete the defrost cycle even if the unit is turned off. If the unit is unplugged during the defrost cycle, excessive water may accumulate in the unit and may drip out when you move the unit.

NOTICE: To ensure the condensate tank empties completely while purging, make sure the unit is placed upright on a horizontal surface.

- 1. Do not turn unit off or move it until it has returned to normal operating mode.**
- 2. Gently rock the machine to ensure any water remaining on interior surfaces falls into the sump area.**
- 3. Press the PURGE key. When the purge cycle is complete, turn the unit off.**
- 4. Coil power cord neatly, and secure it with one of the straps provided.**



1.8 Transport and Storage

NOTICE: Always unplug power cord before moving, transporting, or storing the unit.

NOTICE: Handle the unit carefully. Do not drop, throw, or place the unit where it could fall. Rough treatment can damage this equipment and may create a hazardous condition or void warranty.

- Do not use or store near ignition sources, combustible gases, electric heaters or open flames.
- Do not expose the control panel to moisture, snow or rain.
- Protect from freezing.
- Store and transport securely to avoid any damaging impact to internal parts.
- Secure during transport to prevent sliding and possible injury to vehicle occupants.

1.9 Maintenance Schedule

See SERVICE VIDEOS at [Legendbrands.com/resources/service-technical-support/](https://www.legendbrands.com/resources/service-technical-support/) for detailed instructions on maintaining this unit.

WARNING! Explosion or combustion hazard due to flammable refrigerant.

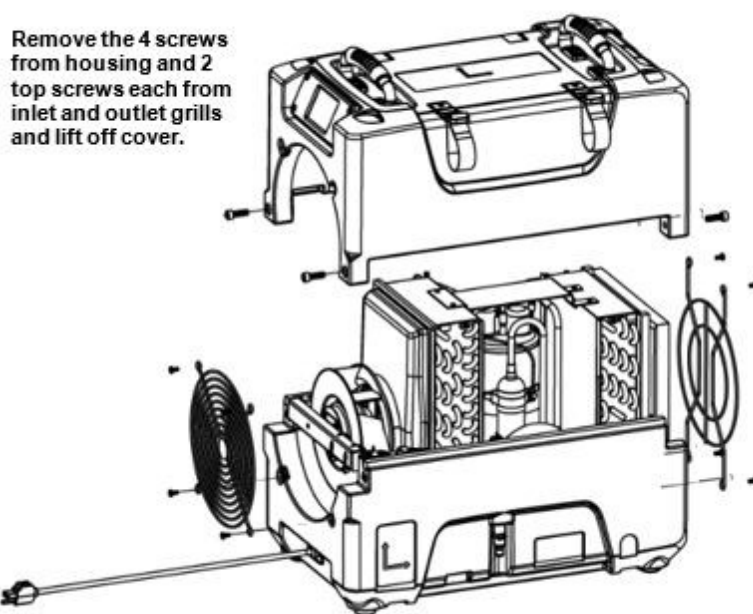
- Do not use or store near ignition sources, combustible gases, electric heaters or open flames.
- Do not drill into or braze the dehumidifier.
- Do not attempt to service the refrigeration system! Only authorized service center personnel should service or decommission the refrigeration system.
- Be aware that refrigerant gases can be odorless.

WARNING! ELECTRIC SHOCK HAZARD. Unplug unit before cleaning or servicing.

WARNING: Risk of dust and contaminants exposure. Use of respirator mask and gloves is recommended. If unit has been exposed to potentially dangerous contaminants, clean thoroughly and sanitize before reuse.

NOTICE: The unit is fitted with sensitive electronic sensors. Protect the sensors and their lead wires from damage and do not expose them to water or cleaning solution.

Fig. B: Disassembly for Cleaning



The following tools and supplies are needed to complete the maintenance procedures described in this manual:



- Philips screwdriver
- 10 mm wrench
- 6 mm hex bit and T45 bit
- ¼ in. nut driver
- Cleaning cloths
- HEPA vacuum cleaner with soft brush nozzle and crevice nozzle.

Recommended

Cordless drill, small knife, small-jaw pliers, coil cleaning solution, rotomolded housing cleaning solution.

BEFORE EACH USE

Inspect the electrical cord for damage. Look for fraying, cuts, etc. Do not use the unit if you find any damage. Contact your local authorized distributor for service.

Inspect filter. Replace if accumulation of dust and debris is visible.

NOTICE: Replace used filters only with a new Dri-Eaz 4-PRO filter part no. #102312 (F583) (24-pack). Other filter types do not provide adequate filtration or airflow. Each filter is individually wrapped to protect filtration effectiveness. Remove the wrapper before installing the filter into the dehumidifier.

MONTHLY

Inspect coils. Clean when dust accumulation is visible. In normal use, dust can accumulate and can restrict airflow, reducing performance and causing the unit to overheat. Use a vacuum cleaner with a brush tool and a soft cloth to remove any debris. Take care not to damage any interior components.

To maintain appearance, wipe interior and exterior surfaces with a damp cloth. For deep cleaning and a lasting, protective shine, use an automotive interior cleaner.

AS NEEDED

Clean pump check valve and basin. Remove grills and cover as shown in Fig. B. Remove screws from pump base and lift out pump. Wipe out pump basin with a damp cloth. Inspect the pump base for build-up of debris and clean if needed. Unthread barbed fitting with check valve and rinse fitting and check valve with clean water. Reinstall check valve into barbed fitting and install the barbed fitting into pump. Do not overtighten. Reinstall pump on base. Reinstall cover and grills.

Clean coils. With the cover removed, inspect both coils. If excessive dust and debris is present, vacuum thoroughly and/or clean with coil cleaner.

1.10 Troubleshooting

FAULT	CAUSE	SOLUTION
Water drips out when moving unit	Unit was unplugged before purging was complete.	Purge unit before moving. See AT THE END OF THE JOB ¹⁵ .
Unit does not operate	Unit not switched on. No power to machine.	Switch unit on. Plug in unit; check power cord connection at wall outlet.
Unit operating, but room not dry	Not enough time to dry. Poor air movement in room. Excessive moist air infiltration.	Make sure "Humidistat" is OFF. Allow more time for drying. Increase air movement with air movers. Seal off area to reduce infiltration.
Unit collects too little water	Room air is dry. Room temperature is too low. Filter is clogged. Coils are clogged.	Make sure "Humidistat" is OFF. Confirm humidity level with hygrometer. Increase room temperature. Check filter. Replace as necessary. Check coils. Clean as necessary.
<p><i>If the problem you are experiencing is not listed here, call your local distributor or contact our Service Department toll-free at 800-932-3030 for further assistance.</i></p>		



1.11 Specifications

Name	Revolution LGR #111995
Water removal AHAM @80°F/60% RH (26.7°C/60% RH)	80 pts. 37.9 L / day
Water removal saturation @90°F/90% RH (32.2°C/90% RH)	144 pts. 68.1 liters / day
Water removal low grain @80°F/20% RH (26.7°C/20% RH)	10 pts. 4.7 liters / day
Dimensions (W × H × D)	12.5 × 17.6 × 21.5 in. 31.8 × 44.7 × 54.6 cm
Use Weight	63 lbs. 28.6 kg
Amps @80°F/60% RH (26.7°C/60%RH)	5.5A
Input Current (104°F/35%RH 40°C/35%RH)	6.7A
Power	115V, 60Hz, 633W
Refrigerant	R32, 0.312 kg (11.0 oz)
Max. use altitude	10,000 ft. 3 km
Air movement	180 CFM 306 CMH
Operating temperature range	33–100°F 1–38°C
Max. Oper. Temp.	104°F 40°C
Safety	Conforms to UL STD 60335-1 & 60335-2-40 Certified to CSA STD. C22.2 NO. 60335-1 & CO335-2-40
<i>Specifications are subject to change without notice. Some values may be approximate.</i>	



1.12 Accessories Included

PARTS INCLUDED

Drain hose: 40 ft. | 12.2 m

Power cord: 25 ft. | 7.6 m

OPTIONAL

Duct Attachment Kit #106996 (F530)

Order replacement air filters from your local distributor. Part no. #102312 (F583) (24 pack).



1.13 Additional Product Information

Additional product information and current documentation is available at LegendBrands.com.

Be sure to visit LegendBrands.com and register your purchase. Your registration will help us provide you with updated product information as needed.

For proper disposal, this unit should be taken to a recycler licensed to process refrigeration equipment.

1.14 Service Technicians Only

FOR SERVICE TECHNICIANS ONLY

Required safety procedures for servicing dehumidifiers with R32 refrigerant:

- Survey the area to ensure there are no sources of ignition that may lead to risk of fire and that there are no open flames or other potential ignition sources for refrigerant detection, and that leak detection equipment set to a percentage of the LFL and is calibrated for the refrigerant used.
- Post “no smoking” signs.
- Display component inspection procedures before repair or maintenance to electrical components, including ensuring that capacitors are discharged, that there is bonding continuity, and that no electrical components or wiring are exposed.
- Disconnect the power supply before repair.
- Follow safety procedures for removal and evacuation of refrigerant, purging the circuit with inert gas, opening the circuit by cutting or brazing, and recovering charge into the correct recovery cylinders. If venting is not allowed by national codes, purging the system with oxygen-free nitrogen if the system is to be purged, venting the system to atmospheric pressure if oxygen-free nitrogen charge is used, and ensuring that the outlet for the vacuum pump is not close to any potential ignition sources.

Before decommissioning units containing R32 refrigerant, you must make sure:

- PPE is available and being used correctly and that the technician is completely familiar with the equipment.
- The recovery process is being supervised by a competent person.
- Electrical power is available before decommissioning and isolate the system electronically.
- Refrigerants can be recovered safely, taking an oil and refrigerant sample in case analysis is required prior to reuse of recovered refrigerant.
- Equipment is available for handling refrigerant cylinders if required. Make sure that recovery equipment and cylinders conform to the appropriate standards.
- Only appropriate cylinders (designated for R32 refrigerant and labeled as such) are used for recovery, and that the correct number of cylinders for holding the total charge are available.
- Cylinders are evacuated prior to use.
- Recovery equipment is working and instructions are available.
- Calibrated weighing scales are available, that hoses have leak free disconnect couplings and are in good condition.

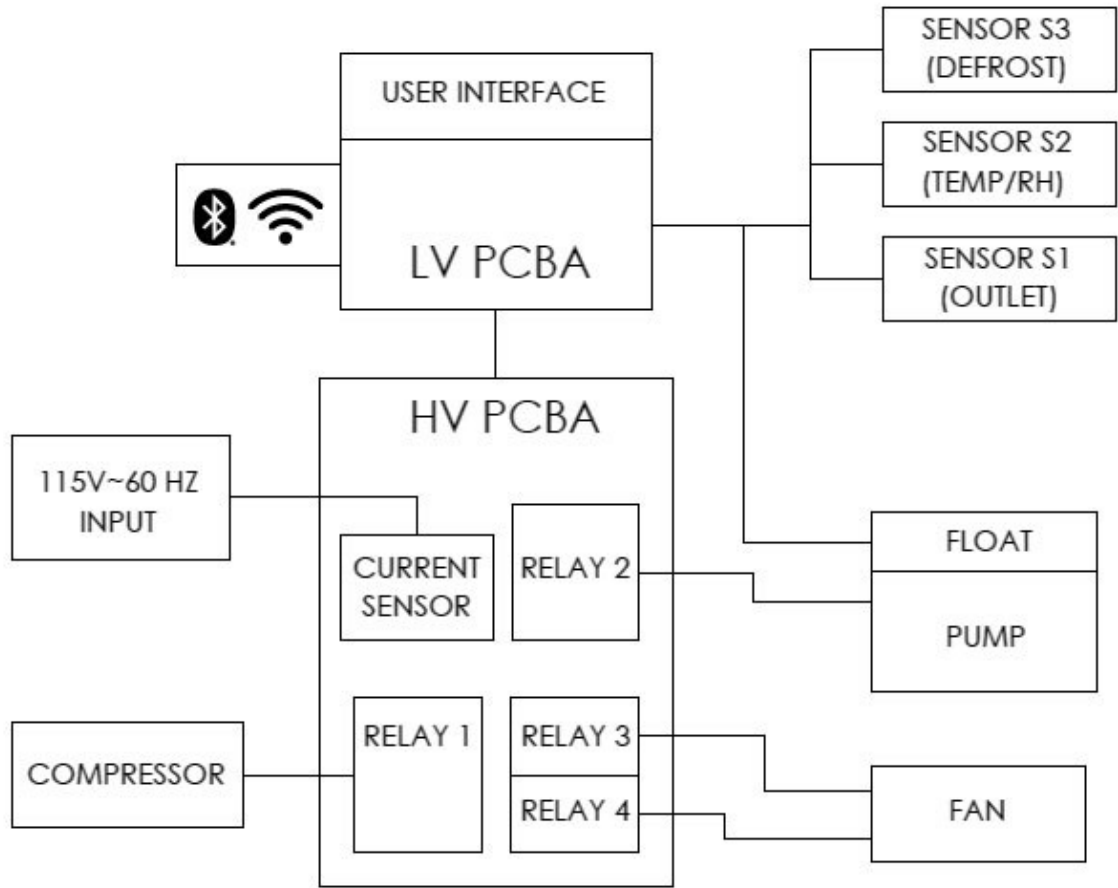


- The recovery machine is working properly and any potential ignition sources are sealed.
- There's not potential for mixing refrigerants in cylinders or recovery units.
- Compressors or compressor oils are properly evacuated if they are to be removed, and evacuating the compressor prior to returning the compressor to the suppliers if it is evacuated.
- Oil is drained out safely if it is to be drained out.

Decommissioning Process

- Pump down the refrigerant system if possible (otherwise making a manifold so that refrigerant can be removed from various parts), making sure that the cylinder is on the scales before recovering refrigerant.
- Operate the recovery machine in accordance with instructions, not filling cylinders to more than 80% liquid volume charge, not exceeding the max working pressure of the cylinders, and making sure that cylinders are filled correctly and removed from site after the process is completed.
- Do not charge recovered refrigerant into another system until it has been cleaned and checked.
- After completion, label the unit to show when it was decommissioned and emptied of refrigerant, that the label must be dated and signed, and ensuring that there are labels on the equipment stating that it contains flammable refrigerant.

DEHUMIDIFIERS WIRING BLOCK DIAGRAM (For Service Technicians Only)



2 Manual de instrucciones

DESHUMIDIFICADOR PORTÁTIL Revolution LGR

Modelo #111995

Legend Brands, Inc.

15180 Josh Wilson Road, Burlington, WA 98233

Teléfono: 800-932-3030

LegendBrands.com

Patentes: *LBpatents.com*

© 2023 Legend Brands, Inc.





2.1 Introducción del producto

El deshumidificador Dri-Eaz® Revolution LGR reduce la humedad en ambientes cerrados al eliminar el vapor de agua del aire. El Revolution es ideal para la restauración de daños ocasionados por el agua, el secado estructural, la construcción y muchas otras aplicaciones que requieren deshumidificación de alto rendimiento.

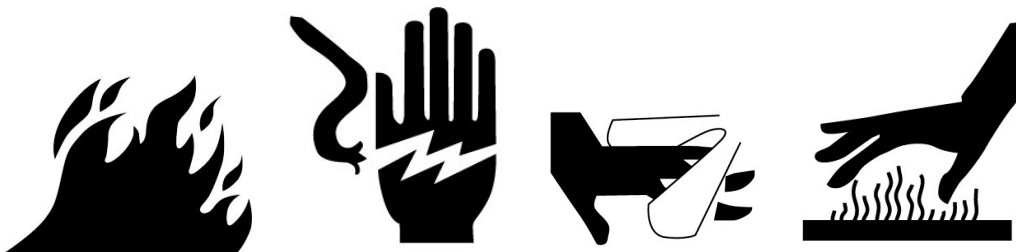
2.2 Advertencias de seguridad

LEA Y GUARDE ESTAS INSTRUCCIONES

INSTRUCCIONES DE SEGURIDAD

⚠ ADVERTENCIA

¡ADVERTENCIA! Peligro de sufrir una descarga eléctrica, lastimarse con el ventilador rotatorio y quemarse con una superficie caliente. Desenchufe la unidad antes de abrir la tapa para limpiarla o hacerle mantenimiento. La unidad debe tener descarga a tierra.



¡ADVERTENCIA! Peligro de explosión o combustión debido a refrigerante inflamable.

- No perforo ni suelde el deshumidificador.
- No intente reparar el sistema de refrigeración. Solo el personal de servicio autorizado debe realizar mantenimiento del sistema de refrigeración.
- Tenga en cuenta que los gases refrigerantes pueden ser inodoros.

¡ADVERTENCIA! Desconecte la unidad antes de limpiarla o darle mantenimiento.

- Apague la unidad y desconéctela antes de levantarla o moverla.
- Maneje la unidad con cuidado. Opere siempre la unidad sobre una superficie estable y nivelada. No la deje caer, no la tire ni la coloque donde pueda caerse. Un trato brusco puede dañar la unidad y puede generar una condición peligrosa o anular la garantía.
- Inspeccione el cable de alimentación antes de utilizar la unidad. Si el cable está dañado, no utilice la unidad. Sujete siempre la clavija (no el cable) para desconectarla.
- La unidad debe operarse en un circuito de 115V/60 Hz protegido por un dispositivo interruptor de circuito por falla en tierra (GFCI, por sus siglas en inglés).
- No intente reparar la unidad. Para consultar una lista de los Centros de Servicio Autorizados, llame al Servicio de Dri-Eaz.



AVISO: No lo utilice en entornos en los que haya sustancias químicas corrosivas, como el cloro.

AVISO: La unidad no debe ser utilizada por personas (incluidos niños) con capacidades físicas, sensoriales o mentales reducidas, o con falta de experiencia y conocimiento, a menos que se les brinde supervisión o instrucción. No se debe permitir que los niños jueguen con la unidad.

Para una eliminación adecuada, esta unidad debe llevarse a una entidad de reciclado autorizada para procesar equipos de refrigeración.

CONTIENE: FCC ID 2ADHKWINC3400; IC 20266-ATWINC3400; CAN-ICES-003(B)/MB-003(B)



2.3 Registro de la garantía

Visite [LegendBrands.com](https://www.legendbrands.com) para registrar su compra. El registro nos permite ayudarlo mejor con el uso, mantenimiento o reparación de su equipo y comunicarnos con usted en caso de que tengamos información importante sobre su producto Dri-Eaz. Si determina que se necesita una reparación, tenga su modelo de equipo, número de serie y comprobante original de compra a mano y llame a su distribuidor para obtener asistencia para obtener una autorización de devolución del material (RMA).

2.4 Controles y Instrucciones de Operación

COLOQUE LA UNIDAD EN POSICIÓN VERTICAL

AVISO: Siempre almacene, transporte y utilice la unidad en posición horizontal. Si la unidad llegara a colocarse en posición vertical, póngala en posición horizontal de nuevo y déjela reposar durante al menos 30 minutos antes de encenderla.

UBICACIÓN DEL DESHUMIDIFICADOR

Para obtener los mejores resultados, utilice los deshumidificadores en un área cerrada. Cierre todas las puertas y ventanas que den al exterior para maximizar la eficiencia de la remoción de agua. Coloque el deshumidificador lejos de obstrucciones y manténgalo alejado de cualquier objeto que pueda bloquear el flujo de aire dentro y fuera de la unidad.

CONFIGURACIÓN DE LA MANGUERA DE DESAGÜE

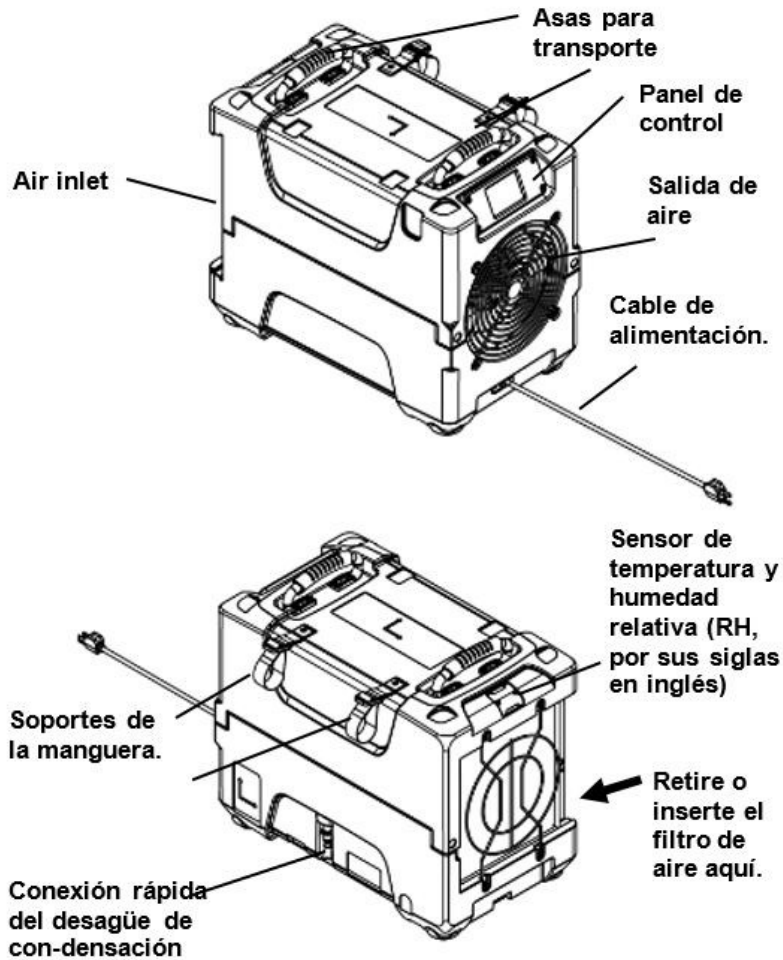
La bomba de condensado del Revolution se conecta a una manguera de desagüe de plástico. Esta manguera está equipada con una conexión de acoplamiento rápido para conectarla rápidamente a la manguera de desagüe de 40 pies (12 m) provista. Desenrolle toda la manguera y coloque el extremo suelto en un lavabo, desagüe, cubo o al aire libre (en cualquier lugar donde el agua pueda drenarse de forma segura).

AVISO: Desenrolle y enderece toda la manguera de desagüe. No deje ninguna parte de la manguera enrollada ni coloque el extremo de la manguera a 20 pies (6 m) por encima de la parte inferior de la unidad. También vea si hay torceduras u otras obstrucciones que podrían restringir el flujo de agua. Las obstrucciones pueden provocar una retención del agua y ocasionar derrames.

CONECTE EL CABLE ELÉCTRICO

El Revolution debe conectarse a un tomacorriente de 115 voltios con protección de GFCI especificado por lo menos para 15 amperios.

Imagen A: Identificación de las piezas



2.5 Cómo usar el Command Hub

CÓMO USAR EL COMMAND HUB

El Command Hub integrales para deshumidificadores y datos precisos en directo acerca del ambiente que se está deshumidificando, además de las horas de funcionamiento, mensajes de autodiagnóstico, recordatorios de mantenimiento y el estado operativo.


Para aprovechar la supervisión y el funcionamiento remotos del Command Hub a través de Bluetooth y Wi-Fi, visite la página Dri-Eaz Command Center Pro:


drieaz.info/ccpro.


VISUALIZACIONES DE LA PANTALLA PRINCIPAL


Unidad APAGADA
La unidad debe estar enchufada.

Barra superior de la pantalla:
Horas de funcionamiento, hora actual

Presione MENÚ  para acceder a los controles de ajustes y configuraciones


Presione PURGA  para vaciar el tanque de condensado


Presione ENCENDER/APAGAR  para encender la unidad


Trabajo 0.0h
Jue Sep 17 2:27 PM


Entrada	Salida
--	--
--	--

APAGADO









Unidad ENCENDIDA
Presione la tecla ENCENDER/APAGAR para encender la unidad.

Barra superior de la pantalla:
Horas de funcionamiento, hora actual
Pantalla de información:
Temperatura de entrada/salida, % de HR y granos de humedad por libra de aire seco (GPP)


Eliminación de los GPP actuales


Barra inferior del menú:
 GPP de entrada de referencia rápida.


Trabajo 0.0h
Jue Sep 17 2:27 PM



Entrada	Salida
80.0°F 60%	107.1°F 48%
91 GPP	67 GPP

Δ24 GPP










1: <60 GPP; 2: 60–90 GPP; 3:> 90 GPP

Presione MENÚ  para acceder a los controles de ajustes y configuraciones

Presione PURGA  para vaciar el tanque de condensado

Presione ENCENDER/APAGAR  para apagar la unidad



2.6 Errores y Advertencias

Si el sistema de control detecta un problema, mostrará un símbolo de "Alerta" en la esquina superior derecha de la pantalla. Presione ON / OFF para ver el mensaje y OK para borrar el mensaje. NOTA: En caso de error, la unidad no funcionará hasta que se resuelva el problema. Consulte las explicaciones y soluciones que se muestran a continuación. Si estas soluciones no solucionan el problema, comuníquese con su centro de servicio autorizado local para obtener más ayuda.

MENSAJE DEL PANEL DE CONTROL	EXPLICACIÓN Y SOLUCIÓN
<p>ER4 Error Conexion de Termistor de Desconjelar —or— Conexion de Termistor de Salida</p>	<p>El sensor de temperatura está abierto, no está o hay un cortocircuito. Verifique que los sensores de temperatura están instalados correctamente en el panel de control. Si el error continúa, comuníquese con el servicio técnico</p>
<p>ER5 Error Sensor de Entrada RH1 Temp/RH</p>	<p>El sensor de temperatura/humedad relativa de entrada está abierto, no está o hay un cortocircuito. Verifique que el sensor de temperatura/humedad relativa de entrada esté instalado correctamente en el panel de control y la cubierta de entrada. Si el error continúa, comuníquese con el servicio técnico.</p>
<p>ER6 Error Falla de Sensor de Energía</p>	<p>Falla del sensor de corriente. Si el error continúa, comuníquese con el servicio técnico.</p>
<p>ER9 Error Bomba Obstruida</p>	<p>Compruebe que no haya obstrucciones ¿La manguera está acodada debajo de la unidad o aplastada por una rueda? Verifique que no haya bloqueos en la bomba y repare de ser necesario.</p>
<p>W1 Bajo BATERÍA</p>	<p>Reemplace la batería de tipo botón (3V, CR2032) en el panel de control.</p>
<p>W2 BLE Error W3 Reinici Flash W4 WDT</p>	<p>Apague y encienda el deshumidificador. Si la advertencia persiste, comuníquese con el servicio.</p>

2.7 Al final de la operación

Para reducir la posibilidad de goteos al mover la unidad, siga estos pasos adicionales para asegurarse de que toda el agua sea retirada de la unidad.

AVISO: Para asegurar que toda el agua sea quitada del deshumidificador, la unidad habrá de completar el ciclo de descongelamiento incluso si se halla apagada. Si la unidad fuera desenchufada durante el ciclo de descongelamiento, es posible que se acumule en la misma el exceso de agua y gotear cuando se la traslade.

AVISO: Para asegurarse de que el tanque de condensado se vacíe por completo mientras se hace el purgado, asegúrese de que la unidad esté en posición vertical sobre una superficie horizontal.

1. **Si la unidad está en un ciclo de descongelamiento, espere hasta que regrese al modo normal de funcionamiento antes de proceder.**
2. **Mueva suavemente la máquina para asegurarse de que cualquier resto de agua en las superficies interiores caiga en el área del colector.**
3. **Pulse la tecla de PURGADO. Cuando se complete el ciclo de purgado, apague la unidad.**
4. **Retire la manguera de drenaje externo, escúrrala con cuidado, enróllela y sujétela con una de las tiras al costado de la unidad.**



2.8 Transporte y Almacenamiento

IMPORTANTE: Antes de mover, transportar o almacenar la unidad, púrguela y almacene la manguera tal como se describe en la sección “Al finalizar el trabajo” más arriba.

AVISO: Maneje la unidad con cuidado. No la deje caer, no la tire ni la coloque donde pueda caerse. Un trato brusco puede dañar el equipo y puede generar una condición peligrosa o anular la garantía.

- No utilice en entornos con gases combustibles, calentadores eléctricos o llamas abiertas.
- No exponga el panel de control a la humedad, la nieve ni la lluvia.
- Proteja la unidad contra la congelación.
- Almacene y transporte la unidad de forma segura para evitar que las piezas internas se dañen.
- Asegúrela durante el transporte para evitar deslizamientos y posibles lesiones a los ocupantes del vehículo.

2.9 Programa de mantenimiento

Consulte los VIDEOS DE SERVICIO en [Legendbrands.com/resources/service-technical-support/](https://www.legendbrands.com/resources/service-technical-support/) para obtener instrucciones detalladas sobre el mantenimiento de esta unidad.

¡ADVERTENCIA! Peligro de explosión o combustión debido a refrigerante inflamable.

- No utilice en entornos con gases combustibles, calentadores eléctricos o llamas abiertas.
- No perforo ni suelde el deshumidificador.
- No intente reparar el sistema de refrigeración. Solo el personal de servicio autorizado debe realizar mantenimiento del sistema de refrigeración.
- Tenga en cuenta que los gases refrigerantes pueden ser inodoros.

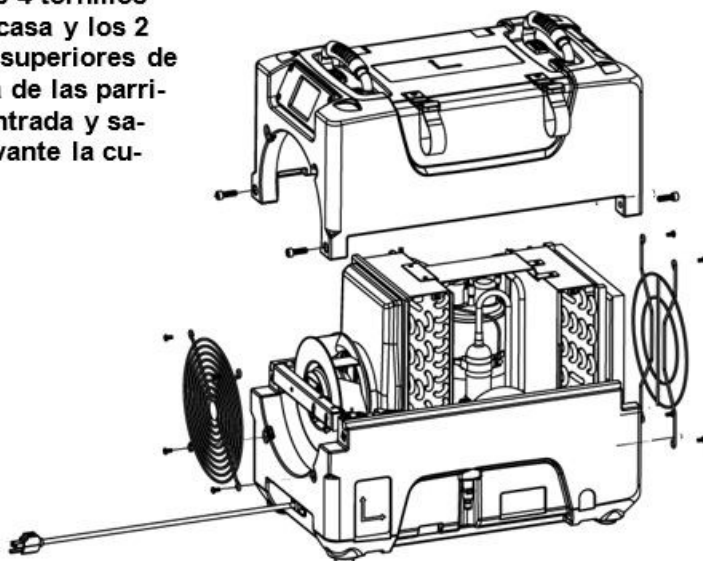
¡ADVERTENCIA! PELIGRO DE DESCARGA ELÉCTRICA. Desconecte la unidad antes de limpiarla o darle mantenimiento.

¡ADVERTENCIA! Riesgo de exposición al polvo y a contaminantes. Se recomienda utilizar una máscara con respirador y guantes. Si la unidad ha estado expuesta a contaminantes potencialmente peligrosos, limpie y desinfecte la unidad a fondo antes de volver a utilizarla.

AVISO: La unidad está equipada con sensores electrónicos sensibles. Proteja los sensores y las puntas de sus cables contra daños y no los exponga al agua ni a la solución de limpieza.

Imagen B: Desmontaje para limpieza

Retire los 4 tornillos de la carcasa y los 2 tornillos superiores de cada una de las parrillas de entrada y salida, y levante la cubierta.



Se requieren las siguientes herramientas y materiales para llevar a cabo los procedimientos de mantenimiento que se describen en este manual:

- Destornillador philips
- Llave de 10 mm
- Punta hexagonal de 6 mm y T45 bits
- Llave de tuercas de ¼ pulg.
- Paños para limpieza
- Aspiradora de absorción de partículas de alta eficiencia (HEPA, por sus siglas en inglés) con boquilla de cepillo suave y boquilla estrecha.

Herramientas y materiales recomendados

Taladro inalámbrico, cuchilla pequeña, pinzas de quijada pequeña, solución de limpieza para la bobina, solución de limpieza de carcasa rotomoldeada.

ANTES DE CADA UTILIZACIÓN

Revise si el cable eléctrico está dañado. Busque quemaduras, cortaduras, etc. No utilice la unidad si encuentra algún daño. Comuníquese con su distribuidor autorizado local para obtener servicio.

Inspeccione el filtro: reemplácelo si observa que hay acumulación de polvo y suciedad.

AVISO: Reemplace los filtros usados con un filtro nuevo Dri-Eaz, número de pieza #102312 (F583) (paquete de 24). Otros tipos de filtros no proporcionan filtración o flujo de aire adecuados. Cada filtro se envuelve individualmente para conservar la



eficiencia de la filtración. Quite la envoltura antes de instalar el filtro en el deshumidificador.

CADA MES

Inspeccione las bobinas. Limpie cuando la acumulación de polvo sea visible. Con el uso normal, el polvo puede acumularse y puede restringir el flujo del aire, lo cual reduce el rendimiento y ocasiona que la unidad se sobrecaliente. Utilice una aspiradora con un cepillo y un paño suave para eliminar cualquier residuo. Tenga cuidado de no dañar los componentes internos.

Para mantener una buena apariencia, limpie las superficies interiores y exteriores con un paño húmedo. Para una limpieza profunda y un brillo duradero y protector, utilice un limpiador para interiores de automóviles.

SEGÚN SE REQUIERA

Limpie la válvula de retención y el depósito de la bomba. Quite las parrillas y la cubierta según se muestra en la Imagen B. Quite los tornillos de la base de la bomba y sáquela. Limpie el depósito de la bomba con un paño húmedo. Revise si hay escombros acumulados en la base de la bomba y límpiela en caso de ser necesario. Desenrosque la boquilla estriada de la válvula de retención y enjuague la boquilla y la válvula de retención con agua limpia. Vuelva a instalar la válvula de retención en la boquilla estriada e instale la boquilla en la bomba. No apriete demasiado. Vuelva a instalar la bomba en la base. Vuelva a instalar la cubierta y las parrillas.

Limpie las bobinas. Con la cubierta retirada, inspeccione las dos bobinas. Si hay polvo y suciedad, limpie a fondo con una aspiradora o limpie con limpiador para bobinas.

2.10 Solucion de problemas

FALLA	CAUSA	SOLUCIÓN
Gotea agua cuando se mueve la unidad	Se desconectó la unidad antes de terminar de purgar.	Purgue la unidad antes de moverla. Vea AL FINAL DE LA OPERACIÓN ³⁷ .
La unidad no funciona	La unidad no está encendida. No hay alimentación a la máquina.	Encienda la unidad. Conecte la unidad, revise la conexión del cable de alimentación en el tomacorriente de la pared.
La unidad funciona, pero la habitación no se seca	El tiempo no es suficiente para el secado. Poco movimiento del aire en la habitación. Infiltración excesiva de aire húmedo.	Permita más tiempo para el secado. Aumente el movimiento del aire con ventiladores. Selle el área para reducir la infiltración.
La unidad recoge muy poca agua	El aire de la sala es seco. La temperatura de la sala es demasiado baja. El filtro está lleno. Las bobinas están obstruidas.	Verifique que "Humidistat" esté apagado. Confirme el nivel de humedad con un higrómetro. Aumente la temperatura de la sala. Examine el filtro. Reemplácelo de ser necesario. Examine las bobinas. Límpielas de ser necesario.
Si el problema que experimenta no está en esta lista, llame a su distribuidor local a la línea sin costo de nuestro departamento de servicio al 800-932-3030 para obtener más ayuda.		



2.11 Especificaciones

Nombre	Revolution LGR #111995
Extracción de agua AHAM (80°F/60% RH 26.7°C/60% de humedad relativa)	80 pintas 37.9 L / día
Saturación de la extracción de agua (90°F/90% 32.2°C/90% de humedad relativa)	144 pintas 68.1 L / día
Extracción de agua de grano bajo (80°F/20% 26.7°C/20% de humedad relativa)	10 pintas 4.7 L / día
Dimensiones (ancho x alto x fondo)	12.5 × 17.6 × 21.5 cm 31.8 × 44.7 × 54.6cm
Peso (c/cable y manguera)	63 libras. 28.6 kg
Amperios (80°F/60% RH 26.7°C/60% RH)	5.5A
Corriente de entrada (104°F/35%RH 40°C/35%RH)	6.7A
Energía	115V / 60 Hz / 633W
Refrigerante	R32, 0.312 kg (11.0 oz)
Altitud máxima de uso	3 km 10 000 pies
Movimiento del aire	180 CFM 306 CMH
Rango de temperatura de operación	33–100° F 1–38° C
Máx. Oper. Temp.	104°F 40°C
Seguridad	Cumple con UL STD 60335-1 & 60335-2-40 Certificado para CSA STD. C22.2 NO. 60335-1 & CO335-2-40
Las especificaciones están sujetas a cambios sin previo aviso. Algunos valores pueden ser aproximados.	



2.12 Piezas incluidas

PIEZAS INCLUIDAS

Manguera de drenaje: 40 pies | 12,2 m

Cable de alimentación: 25 pies | 7,6 m

OPTIONAL

Kit de fijación de conductos #106996 (F530)

Pida filtros de aire de repuesto a su distribuidor local. Parte #102312 (F583) (paquete de 24).



2.13 Información Adicional

Información adicional del producto y documentos actualizados disponibles en LegendBrands.com.

Vele por visitar LegendBrands.com y registrar su compra. Su registro nos ayudará a brindarle información actualizada del producto en función de sus necesidades.

Para desecharla de forma adecuada, esta unidad debe llevarse a un reciclador licenciado que se encargue de equipos de refrigeración.

2.14 Solo para técnicos del servicio

SOLO PARA TÉCNICOS DEL SERVICIO

Procedimientos de seguridad requeridos para el mantenimiento de deshumidificadores con refrigerante R32:

- Inspeccione el área para asegurarse de que no haya fuentes de ignición que puedan provocar riesgo de incendio y que no haya llamas abiertas u otras posibles fuentes de ignición para la detección de refrigerante, y que el equipo de detección de fugas esté configurado en un porcentaje del LFL y se haya calibrado para el refrigerante utilizado.
- Coloque carteles de "Prohibido fumar".
- Muestre los procedimientos de inspección de componentes antes de la reparación o el mantenimiento de los componentes eléctricos, lo que incluye asegurarse de que los condensadores estén descargados, que haya continuidad de unión y que no haya componentes eléctricos o cableado expuestos.
- Desconecte la fuente de alimentación antes de reparar la unidad.
- Siga los procedimientos de seguridad para la extracción y evacuación del refrigerante, purgando el circuito con gas inerte, abriendo el circuito mediante corte o soldadura y recuperando la carga en los cilindros de recuperación correctos. Si los códigos nacionales no permiten la ventilación, se debe purgar el sistema con nitrógeno sin oxígeno si la purga debe realizarse, ventilar el sistema a presión atmosférica si se utiliza carga de nitrógeno sin oxígeno y garantizar que la salida de la bomba de vacío no esté cerca de ninguna fuente de ignición potencial.

Antes de retirar del servicio activo las unidades que contienen refrigerante R32, debe asegurarse de lo siguiente:

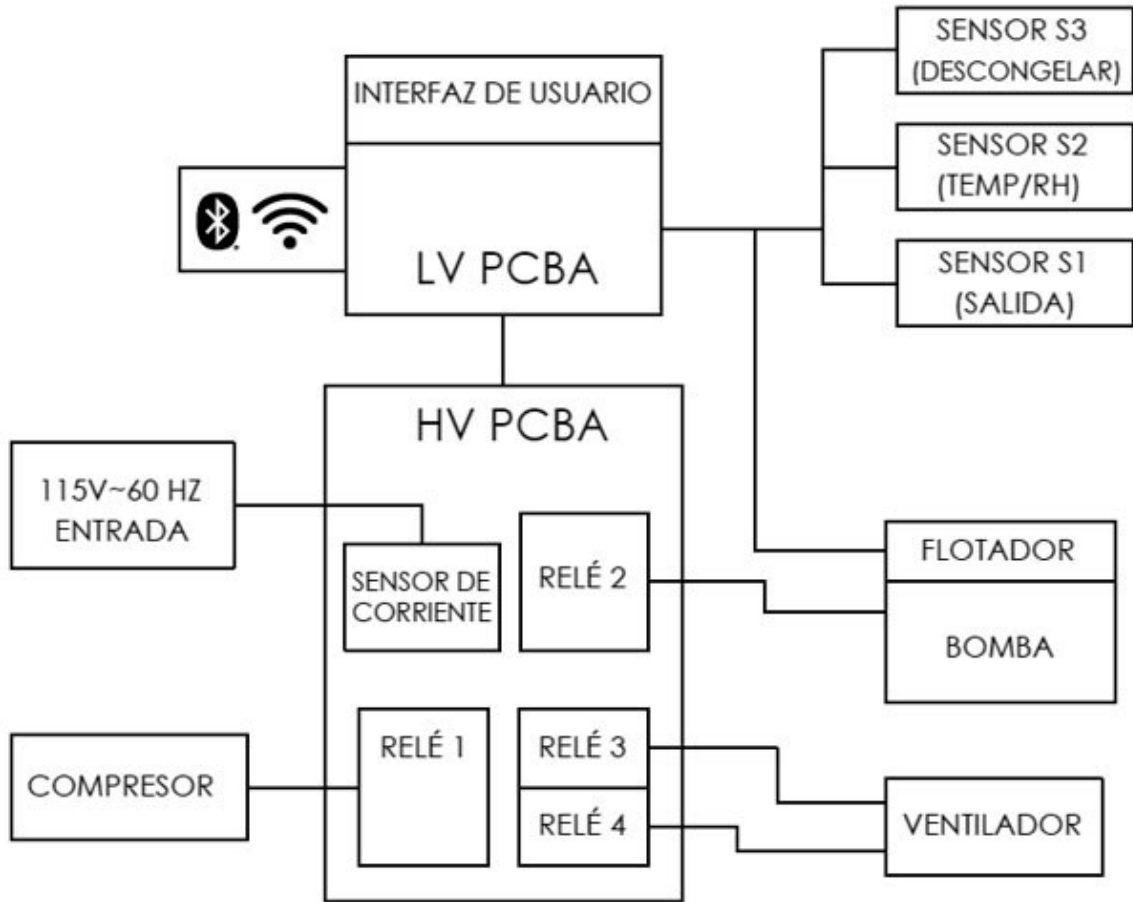
- Hay disponible equipo de protección personal (EPP) y se lo utiliza correctamente, y el técnico está completamente familiarizado con el equipo.
- Una persona competente supervisar el proceso de recuperación.
- La energía eléctrica está disponible antes del retiro del servicio activo y se aísla el sistema electrónicamente.
- Los refrigerantes pueden recuperarse de manera segura, y se debe tomar una muestra de aceite y refrigerante en caso de que se requiera un análisis antes de reutilizar el refrigerante recuperado.
- El equipo está disponible para la manipulación de los cilindros de refrigerante si es necesario. Asegúrese de que el equipo de recuperación y los cilindros cumplan con los estándares adecuados.
- Solo se utilizan cilindros apropiados (designados para refrigerante R32 y etiquetados como tales) para la recuperación, y la cantidad correcta de cilindros está disponible para mantener la carga total.

- Los cilindros se evacúan antes de su uso.
- El equipo de recuperación está funcionando y hay instrucciones disponibles.
- Hay básculas de pesaje calibradas disponibles, las mangueras tienen acoplamientos de desconexión sin fugas y están en buenas condiciones.
- La máquina de recuperación funciona correctamente y se ha sellado cualquier fuente de ignición potencial.
- No existe posibilidad de que se mezclen refrigerantes en cilindros o unidades de recuperación.
- Los compresores o aceites para compresores se evacúan adecuadamente si se van a retirar, y se evacúa el compresor antes de devolverlo a los proveedores, si se lo debe evacuar.
- El aceite se drena de manera segura si se lo debe drenar.

Proceso de retirada del servicio activo

- Bombee el sistema de refrigerante si es posible (de lo contrario, cree un colector para que el refrigerante pueda retirarse de las diferentes piezas), asegurándose de que el cilindro esté en las básculas antes de recuperar el refrigerante.
- Opere la máquina de recuperación de acuerdo con las instrucciones, sin llenar los cilindros más del 80 % de carga de volumen de líquido, sin exceder la presión máxima de trabajo de los cilindros y asegurándose de que estos se llenen correctamente y se retiren del sitio una vez finalizado el proceso.
- No cargue el refrigerante recuperado en otro sistema sin antes limpiarlo y verificarlo.
- Una vez finalizado, etiquete la unidad para indicar cuándo se retiró del servicio activo y se vació el refrigerante, la etiqueta debe estar fechada y firmada, y asegúrese de que haya etiquetas en el equipo que indiquen que contiene refrigerante inflamable.

DIAGRAMA DE BLOQUES DE CABLEADO DEL DESHUMIDIFICADOR (Solo para técnicos del servicio)



3 Manuel du propriétaire

DÉSHUMIDIFICATEUR PORTATIF Revolution LGR

Modèle #111995

Legend Brands, Inc.

15180 Josh Wilson Road, Burlington, WA 98233

Téléphone : 800-932-3030

LegendBrands.com

Brevets : LBpatents.com

© 2023 Legend Brands, Inc.





3.1 Présentation du Produit

Le déshumidificateur Dri-Eaz® Revolution LGR réduit l'humidité dans des environnements clos en éliminant la vapeur d'eau de l'air. Le déshumidificateur Révolution est idéal pour la restauration des dommages causés par l'eau, le séchage de la structure, la construction, et de nombreuses autres applications nécessitant une déshumidification, de haute performance.

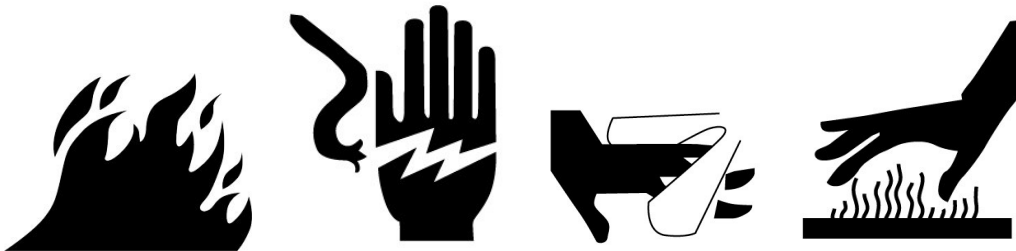
3.2 Avertissements de Sécurité

CONSERVER CES INSTRUCTIONS

INSTRUCTIONS DE SÉCURITÉ IMPORTANTES

▲ AVERTISSEMENT

AVERTISSEMENT! Ne pas modifier le Unit d'aucune façon. Utiliser seulement des pièces de rechange autorisées par Legend Brands, Inc. Toute modification ou l'utilisation de pièces non approuvées peut constituer un danger et annulera votre garantie. Contactez votre distributeur autorisé Dri-Eaz pour obtenir de l'aide.



AVERTISSEMENT! Danger d'explosion ou de combustion dû à un réfrigérant inflammable.

- Ne pas percer ou braser le déshumidificateur.
- N'essayez pas d'effectuer l'entretien du système de réfrigération! Seul le personnel d'entretien autorisé doit entretenir le système de réfrigération.
- Sachez que les gaz réfrigérants peuvent être inodores.

AVERTISSEMENT! Débrancher l'appareil avant le nettoyage ou l'entretien.

- Éteindre l'appareil et le débrancher avant de le soulever ou de le déplacer.
- Manipuler l'appareil avec précaution. Faire toujours fonctionner l'appareil sur une surface plane et stable. Ne pas laisser tomber l'appareil et ne pas le placer où il pourrait tomber. Un mauvais traitement peut endommager l'appareil et créer une condition dangereuse ou annuler la garantie.
- Inspecter le cordon d'alimentation avant l'utilisation. Si le cordon est endommagé, ne pas l'utiliser. Toujours saisir la fiche (pas le cordon) pour débrancher.
- L'appareil doit être branché sur un circuit 115V/60 Hz protégé par un disjoncteur différentiel de fuite à la terre (DDFT).
- Ne pas tenter de réparer l'appareil. Pour les centres de service autorisés, appeler



Dri-Eaz service au 800-932-3030.

AVIS: Ne pas utiliser dans des environnements contenant des produits chimiques corrosifs, tels que le chlore.

AVIS : L'unité ne doit pas être utilisée par des personnes ayant des capacités physiques, sensorielles ou mentales réduites, ou un manque d'expérience et de connaissances, à moins qu'elles n'aient reçu une supervision ou des instructions (y compris les enfants). Les enfants ne doivent pas être autorisés à jouer avec l'appareil.

Pour une élimination adéquate, cet appareil doit être apporté à un recycleur autorisé à traiter l'équipement de réfrigération.

CONTIENT : FCC ID 2ADHKWINC3400; IC 20266-ATWINC3400; CAN-ICES-003(B)/MB-003(B)



3.3 Garantie et Enregistrement

Visitez [LegendBrands.com](https://www.legendbrands.com) pour enregistrer votre achat. L'enregistrement de la garantie nous permet de mieux vous assister avec l'utilisation, l'entretien ou la réparation de votre équipement et de vous contacter dans le cas où nous avons des informations de sécurité importantes à vous communiquer concernant votre produit Dri-Eaz. Si vous estimez qu'une réparation ou entretien est nécessaire, ayez à portée de main le modèle de l'appareil, le numéro de série et la preuve originale d'achat avant d'appeler votre distributeur pour assistance qui vous donnera une autorisation de retour de matériel (RMA).

3.4 Commandes et Mode d'emploi

PLACER L'APPAREIL EN POSITION HORIZONTALE

AVIS : Toujours stocker, transporter et utiliser l'appareil en position horizontale. Si l'appareil a été placé en position verticale, le retourner à la position horizontale et le laisser se reposer pendant au moins 30 minutes avant de l'allumer.

POSITIONNEMENT DU DÉSHUMIDIFICATEUR

Pour de meilleurs résultats, placer le déshumidificateur dans un espace clos. Fermer toutes les portes et fenêtres qui s'ouvrent vers l'extérieur afin de maximiser l'efficacité de l'élimination de l'eau. Placez votre déshumidificateur à l'écart de toute obstruction et de tout ce qui pourrait bloquer la circulation d'air d'entrée et de sortie de l'appareil.

METTRE EN PLACE LE TUYAU DE VIDANGE

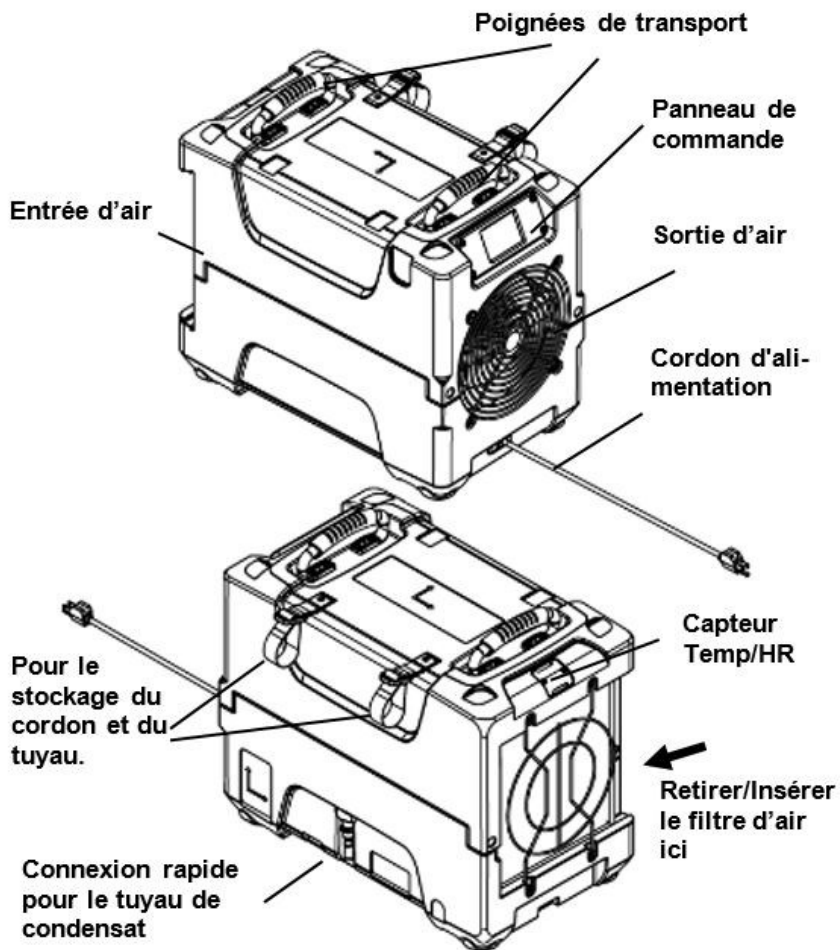
La pompe à condensat du Revolution se connecte à un tuyau de vidange en matière plastique. Ce tuyau est équipé d'un raccord rapide pour une connexion rapide au tuyau de vidange de 40 pieds (12 m) inclus. Déballer l'ensemble du tuyau et placez l'extrémité libre dans un évier, un drain, un seau ou à l'extérieur - partout où l'eau peut s'écouler en toute sécurité. Si vous utilisez un seau ou un autre récipient pour la collecte de l'eau, le vérifier régulièrement pour éviter les débordements.

AVIS : Dérouler et redresser le tuyau de vidange. Ne laisser aucune partie du tuyau enroulée et ne pas placer l'extrémité du tuyau supérieur à plus de 20 pieds (6 mètres) au-dessus du fond de l'appareil. Vérifier également s'il existe des plis ou autres obstacles susceptibles de limiter le débit d'eau. Les obstructions peuvent causer des débordements.

BRANCHER LE CORDON ÉLECTRIQUE

Le Revolution doit être branché dans une prise de 115 volts protégée par DDFT évaluée au moins à 15 ampères.

Fig. A : Identification des pièces



3.5 Command Hub

COMMENT UTILISER LE COMMAND HUB

Le i-Series Command Hub offre des contrôles complets pour le déshumidificateur et des données détaillées en temps réel sur l'environnement à sécher, ainsi que les heures de travail; des messages d'auto-diagnostic, des rappels d'entretien et le statut de fonctionnement.

Pour profiter de la surveillance et du fonctionnement à distance du Command Hub via Bluetooth et WiFi, visitez la page Dri-Eaz Command Center Pro : drieaz.info/ccpro


AFFICHAGES ÉCRAN D'ACCUEIL

Unité FERMÉE

L'unité doit être branchée.

Barre d'affichage supérieure:

Heures de travail, heure actuelle

Appuyez sur  MENU pour accéder aux réglages et aux contrôles de configuration

Appuyez sur  PURGER pour vidanger le réservoir

Appuyez sur  OUVERT/FERMÉ pour ouvrir l'unité.



Unité OUVERTE

Appuyez sur OUVERT/FERMÉ pour ouvrir l'unité.

Barre d'affichage supérieure:

Heures de travail, heure actuelle

Affichage de l'information:

Température entrée/sortie, % HR et GPP

Retrait actuel GPP

Barre de menu du bas:



GPP d'entrée de référence rapide.

1: <60 GPP; 2: 60 à 90 GPP; 3:> 90 GPP

Appuyez sur  MENU pour accéder aux



réglages et aux contrôles de configuration

Appuyez sur  PURGER pour vidanger le réservoir

Appuyez sur  OUVERT/FERMÉ pour fermer l'unité.



3.6 Erreurs et Avertissements

Si le système de contrôle détecte un problème, il affichera un symbole «Alerte» dans le coin supérieur droit de l'écran. Appuyez sur ON / OFF pour afficher le message et sur OK pour effacer le message. REMARQUE: En cas d'erreur, l'unité ne fonctionnera pas tant que le problème ne sera pas résolu. Reportez-vous aux explications et solutions ci-dessous. Si ces solutions ne résolvent pas le problème, contactez votre centre de service local agréé pour obtenir de l'aide.

MESSAGE DU PANNEAU DE COMMANDE	EXPLICATION ET SOLUTION
<p>ER4 erreur contacts de la thermistance de dégivrage —or— ER4 erreur contacts de la thermistance de sortie</p>	<p>Le capteur de température est ouvert, manquant ou court-circuité. Vérifiez que les capteurs de température sont installés correctement sur le panneau de commande. Si l'erreur persiste, contactez le service d'assistance.</p>
<p>ER5 erreur capteur RH1 temp/HR d'entrée</p>	<p>Le capteur temp/RH en entrée est ouvert, manquant ou court-circuité. Vérifiez que le capteur temp/RH en entrée est installé correctement sur le panneau de commande et l'enveloppe d'admission. Si l'erreur persiste, contactez le service d'assistance.</p>
<p>ER6 erreur défaillance du capteur de courant</p>	<p>Panne du capteur de courant. Si l'erreur persiste, contactez le service d'assistance.</p>
<p>ER9 erreur pompe bloquée</p>	<p>Vérifiez s'il y a des obstructions. Est-ce que le tuyau est tordu sous l'unité ou coincé sous une roue ? Vérifiez que la pompe n'est pas obstruée et corrigez si nécessaire.</p>
<p>W1 Basse BATTERIE</p>	<p>Remplacez la pile bouton (3 V, CR2032) sur le panneau de commande.</p>
<p>W2 Erreur BLE W3 Flash Reset W4 WDT Reset</p>	<p>Remettez le déshumidificateur sous tension. Si l'avertissement persiste, contactez le service.</p>

3.7 À la Fin du Travail

Pour réduire la possibilité d'égouttement lors du transport de l'unité, suivez ces étapes supplémentaires pour s'assurer que toute l'eau est évacuée de l'appareil.

REMARQUE : Pour s'assurer que toute l'eau est évacuée du déshumidificateur, l'appareil termine le cycle de dégivrage même si l'appareil est éteint. Si l'appareil est débranché durant le cycle de dégivrage, un excédent d'eau peut s'accumuler dans l'appareil et goutter lors de son déplacement.

REMARQUE : Pour s'assurer que le réservoir de condensation se vide complètement durant la purge, vérifiez que l'appareil est placé en station debout sur une surface horizontale.

1. **Si l'appareil est en cycle de dégivrage, attendez qu'il revienne en mode de fonctionnement normal avant de continuer.**
2. **Basculez légèrement la machine pour s'assurer que l'eau restant sur les surfaces intérieures s'écoule dans le puisard.**
3. **Appuyez sur la touche PURGE. Lorsque le cycle de purge est terminé, éteignez l'unité.**
4. **Retirez le tuyau de vidange externe, videz-le soigneusement, enroulez-le et maintenez-le en place à l'aide d'une des attaches prévues à cet effet sur le côté de l'unité.**
5. **Débranchez le cordon d'alimentation, enroulez-le soigneusement et fixez-le avec l'une des sangles fournies.**

3.8 Transport et Stockage

IMPORTANT : Avant de déplacer, de transporter ou de ranger l'unité, vidangez l'unité et rangez le tuyau comme décrit dans la section « Une fois le travail terminé » ci-dessus.

AVIS : Manipuler l'appareil avec précaution. Ne pas faire tomber ou placer l'appareil dans un endroit où il pourrait tomber. Un mauvais traitement peut endommager l'appareil et créer une situation dangereuse ou annuler la garantie.

- Ne pas utiliser dans des environnements avec des gaz combustibles, des appareils de chauffage électriques ou des flammes nues.
- Ne pas exposer le panneau de commande à l'humidité, à la neige ou à la pluie.
- Protéger contre le gel.
- Transporter et stocker en toute sécurité afin d'éviter tout impact qui pourrait endommager les parties internes.
- Sécuriser durant le transport afin d'éviter que l'appareil ne glisse et blesse les occupants du véhicule.

3.9 Programme d'entretien

Consultez les VIDÉOS DE SERVICE à l'adresse [Legendbrands.com/resources/service-technical-support/](https://www.legendbrands.com/resources/service-technical-support/) pour obtenir des instructions détaillées sur l'entretien de cet appareil.

AVERTISSEMENT! Danger d'explosion ou de combustion dû à un réfrigérant inflammable.

- Ne pas utiliser dans des environnements avec des gaz combustibles, des appareils de chauffage électriques ou des flammes nues.
- Ne pas percer ou braser le déshumidificateur.
- N'essayez pas d'effectuer l'entretien du système de réfrigération! Seul le personnel d'entretien autorisé doit entretenir le système de réfrigération.
- Sachez que les gaz réfrigérants peuvent être inodores.

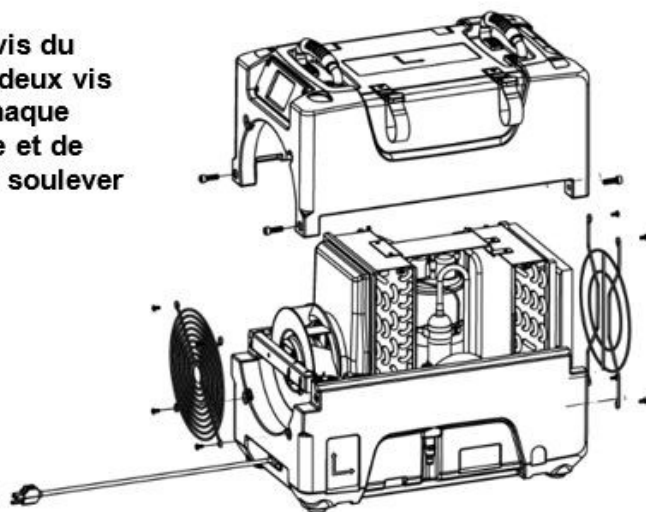
AVERTISSEMENT! RISQUE DE CHOC ÉLECTRIQUE. Débranchez le déshumidificateur avant d'effectuer une opération de maintenance.

AVERTISSEMENT! Risque d'exposition à la poussière et à des contaminants. L'utilisation d'un masque respiratoire et de gants est recommandée. Si l'unité a été exposée à des contaminants potentiellement dangereux, nettoyez en profondeur et désinfectez avant réutilisation.

AVIS : L'unité est équipée de capteurs électroniques sensibles. Protégez les capteurs et leurs fils conducteurs des dommages et ne les exposez pas à l'eau ou à une solution de nettoyage.

Fig. B : Démontage en vue du nettoyage

Retirer les 4 vis du boîtier et les deux vis du haut de chaque grille d'entrée et de sortie d'air et soulever le couvercle.



Les outils et les fournitures suivantes sont nécessaires pour l'entretien tel que

décrit dans ce manuel:

Tournevis Philips

Clé de 10 mm

Mèche hexagonale de 6 mm et embout T45

Tourne-écrou ¼ po

Chiffons de nettoyage

Aspirateur muni d'un filtre HEPA avec brosse douce et buse plate.

Recommandé

Perceuse sans fil, petit couteau, pince à petite mâchoire, solution de nettoyage de la bobine, solution de nettoyage pour boîtier rotomoulé.

AVANT CHAQUE UTILISATION

Inspecter le cordon électrique pour dommages. Vérifier le cordon pour des coupes, effilochages ou autres dommages. N'utilisez pas l'appareil si vous constatez des dommages. Contactez votre distributeur local agréé pour le service.

Inspectez le filtre. Remplacez si une accumulation de poussière et de débris est visible.

AVIS : Remplacez les filtres usagés uniquement par un nouveau filtre Dri-Eaz 4-PRO réf. #102312 (F583) (paquet de 24). Les autres types de filtres ne fournissent pas une filtration ou un débit d'air adéquat. Chaque filtre est emballé individuellement pour protéger l'efficacité de la filtration. Retirez l'emballage avant d'installer le filtre dans le déshumidificateur.

ENTRETIEN MENSUEL

Inspecter les bobines. Nettoyer lorsque l'accumulation de poussière est visible. En fonctionnement normal, la poussière peut s'accumuler et restreindre le débit d'air, réduisant ainsi le rendement et provoquant une surchauffe de l'appareil. Utiliser un aspirateur muni d'une brosse et un chiffon doux pour enlever les débris. Prendre soin de ne pas endommager les composants internes.

Pour maintenir l'apparence, essuyer les surfaces intérieures et extérieures avec un chiffon humide. Pour un nettoyage en profondeur, un éclat et une protection durable, utiliser un nettoyant intérieur d'automobile.

AU BESOIN

Nettoyer le clapet anti-retour de la pompe et le réservoir. Retirer les grilles et le couvercle comme indiqué sur la figure B. Retirer les vis de la base de la pompe et retirer la pompe. Essuyer le bassin de la pompe avec un chiffon humide. Inspecter la base de la pompe pour l'accumulation de débris et nettoyer si nécessaire. Dévisser le raccord cannelé et le clapet anti-retour et rincer le raccord et le clapet avec de l'eau propre. Réinstaller le clapet dans le raccord cannelé et installer le raccord dans la



pompe. Ne pas trop serrer. Réinstaller la pompe sur la base. Réinstaller le couvercle et les grilles.

Nettoyer les bobines. Avec le couvercle retiré, inspecter les deux bobines. Si vous trouvez de la poussière excessive et des débris, aspirez minutieusement et/ou nettoyez avec un nettoyant de bobine.

3.10 Dépannage

DÉFAULT	CAUSE	SOLUTION
L'eau s'égoutte lors du déplacement de l'appareil	L'appareil a été débranché avant que l'évacuation soit terminée.	Évacuer toute l'eau de l'appareil avant de le déplacer. Voir « À LA FIN DU TRAVAIL » ⁶¹ .
L'appareil ne fonctionne pas	L'appareil n'est pas allumé. Pas d'alimentation à l'appareil.	Allumer l'appareil. Brancher l'appareil : vérifier la connexion du cordon d'alimentation à la prise murale.
L'appareil fonctionne mais la salle n'est pas sèche	Pas assez de temps pour le séchage. Faible mouvement d'air dans la salle. Infiltration excessive d'air humide.	Vérifiez que l'hygrostat (« Humidistat ») est sur OFF. Prévoir plus de temps pour le séchage. Améliorer la circulation de l'air avec des dispositifs de ventilation. Sceller la zone pour réduire l'infiltration.
L'unité ne collecte pas assez d'eau.	L'air de la pièce est sec. La température de la pièce est trop basse. Le filtre est plein. Les serpentins sont bouchés.	Vérifiez que l'hygrostat (« Humidistat ») est sur OFF. Vérifiez le niveau d'humidité avec l'hygromètre. Augmentez la température de la pièce. Vérifiez le filtre. Remplacez si nécessaire. Vérifiez les serpentins. Nettoyez si nécessaire.
Si le problème que vous rencontrez ne figure pas dans ce tableau, veuillez contacter votre distributeur local ou notre centre de service au 800 932 3030 pour obtenir de l'aide.		



3.11 Spécification

Nom	Revolution LGR #111995
Évacuation de l'eau (80°F/60% 26.7°C/60% RH)	80 pintes 37.9 L / jour
Saturation de l'élimination de l'eau (90°F/90% 32.2°C/90% RH)	144 pintes 68.1 L / jour
Élimination de l'eau à faible grain (80°F/20% 26.7°C/20% RH)	10 pintes 4.7 L / jour
Dimensions (L × H × P)	12,5 × 17,6 × 21,5 po 31,8 × 44,7 × 54,6 cm
Poids (avec cordon et tuyau)	63 lb. 28,6 kg
Ampères (80°F/60% 26.7°C/60% RH)	5.5A
Courant d'entrée (104°F/35%RH 40°C/35%RH)	6.7A
Alimentation	115V / 60Hz / 633W
Réfrigérant	R32, 0.312 kg (11.0 oz)
Altitude maximale d'utilisation	3 km 10 000 pi
Mouvement de l'air	180 CFM 306 CMH
Gamme de température de fonctionnement	33 à 100°F 1 à 38°C
Max. Oper. Temp.	40°C 104°F
Sécurité	Conforme à UL STD 60335-1 & 60335-2-40 Certifié pour CSA STD. C22.2 NO. 60335-1 & CO335-2-40
Ces spécifications sont sujettes à modification sans préavis. Certaines valeurs peuvent être approximatives	



3.12 Pièces Incluses

PIÈCES INCLUSES

Tuyau de vidange : 40 pieds | 12,2 m

Cordon d'alimentation : 25 pieds | 7,6 m

OPTIONAL

Commandez des filtres à air de rechange auprès de votre distributeur local. Pièce #102312 (F583) (paquet de 24).

Kit de fixation de conduit #106996 (F530)



3.13 Informations Supplémentaires

Des informations supplémentaires sur le produit et la documentation actuelle sont disponibles sur LegendBrands.com.

N'oubliez pas de visiter LegendBrands.com et d'enregistrer votre achat. Votre inscription nous aidera à vous communiquer les mises à jour sur le produit, si nécessaire.

Pour une mise au rebut correcte, cette unité doit être déposée dans un centre de recyclage agréé pour le traitement des équipements de réfrigération.

3.14 Pour les techniciens d'entretien seulement

POUR LES TECHNICIENS D'ENTRETIEN SEULEMENT

Procédures de sécurité requises pour l'entretien des déshumidificateurs avec du réfrigérant R32 :

- Examiner la zone pour s'assurer qu'il n'y a pas de sources d'inflammation pouvant entraîner un risque d'incendie et qu'il n'y a pas de flammes nues ou d'autres sources d'inflammation potentielles pour la détection du réfrigérant, et que l'équipement de détection des fuites est réglé à un pourcentage de la LII et est étalonné pour le frigorigène utilisé.
- Poser des panneaux « Ne pas fumer ».
- Afficher les procédures d'inspection des composants avant la réparation ou l'entretien des composants électriques, y compris s'assurer que les condensateurs sont déchargés, qu'il y a une continuité de liaison et qu'aucun composant électrique ou câblage n'est exposé.
- Débrancher le bloc d'alimentation avant la réparation.
- Suivre les procédures de sécurité pour le retrait et l'évacuation du réfrigérant, la purge du circuit avec du gaz inerte, l'ouverture du circuit en coupant ou braser et récupérer la charge dans les bons cylindres de récupération. Si la ventilation n'est pas autorisée par les codes nationaux, purger le système avec de l'azote sans oxygène si le système doit être purgé, purger le système à la pression atmosphérique si une charge d'azote sans oxygène est utilisée et s'assurer que la sortie de la pompe à vide n'est pas proche de sources d'inflammation potentielles.

Avant de mettre hors service des unités contenant du réfrigérant R32, vous devez vous assurer que :

- L'EPI est disponible et utilisé correctement et que le technicien connaît parfaitement l'équipement.
- Le processus de rétablissement est supervisé par une personne compétente.
- L'alimentation électrique est disponible avant la mise hors service et isole le système électroniquement.
- Les réfrigérants peuvent être récupérés en toute sécurité, en prélevant un échantillon d'huile et de réfrigérant au cas où une analyse serait nécessaire avant la réutilisation du réfrigérant récupéré.
- L'équipement est disponible pour manipuler les bouteilles de réfrigérant au besoin. S'assurer que l'équipement et les bouteilles de récupération sont conformes aux normes appropriées.
- Seuls les cylindres appropriés (désignés pour le réfrigérant R32 et étiquetés comme tels) sont utilisés pour la récupération, et le bon nombre de cylindres pour maintenir la charge totale est disponible.

- Les bouteilles sont évacuées avant utilisation.
- L'équipement de récupération fonctionne et des instructions sont disponibles.
- Des balances calibrées sont disponibles, les tuyaux sont dotés de raccords de déconnexion sans fuite et sont en bon état.
- La machine de récupération fonctionne correctement et toute source d'inflammation potentielle est scellée.
- Il n'y a pas de risque de mélange de réfrigérants dans les cylindres ou les unités de récupération.
- Les compresseurs ou les huiles de compresseur sont évacués correctement s'ils doivent être retirés et évacués avant de retourner le compresseur aux fournisseurs s'il est évacué.
- L'huile est vidangée en toute sécurité si elle doit être vidangée.

Processus de mise hors service

- Pompez le système de réfrigérant si possible (autrement, en créant un collecteur afin que le réfrigérant puisse être retiré de diverses pièces), en vous assurant que le cylindre se trouve sur les balances avant de récupérer le réfrigérant.
- Faire fonctionner la machine de récupération conformément aux instructions, ne pas remplir les bouteilles à plus de 80 % du volume de liquide, ne pas dépasser la pression de service maximale des bouteilles et s'assurer que les bouteilles sont remplies correctement et retirées du site une fois le processus terminé.
- Ne pas charger le réfrigérant récupéré dans un autre système avant qu'il n'ait été nettoyé et vérifié.
- Après avoir terminé, étiquetez l'appareil pour indiquer quand il a été mis hors service et vidé de réfrigérant, que l'étiquette doit être datée et signée et qu'il y a des étiquettes sur l'équipement indiquant qu'il contient du réfrigérant inflammable.

SCHÉMA DE CÂBLAGE DU DÉSHUMIDIFICATEUR

(Pour les techniciens d'entretien seulement)

